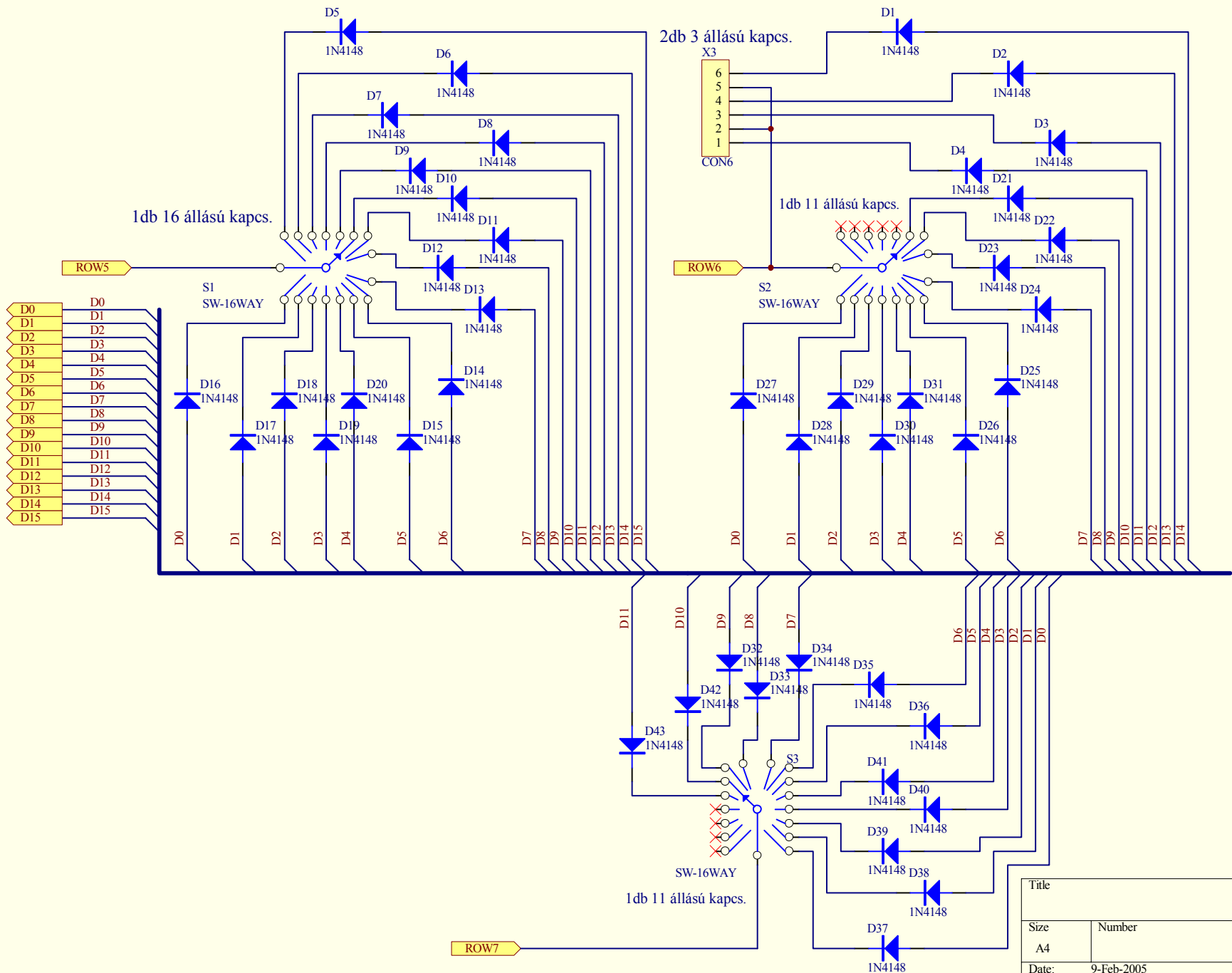
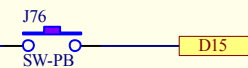
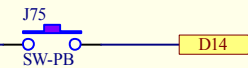
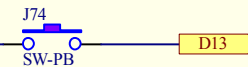
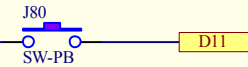
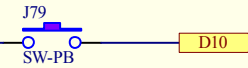
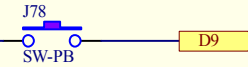
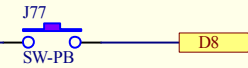
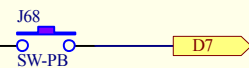
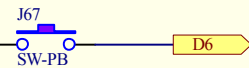
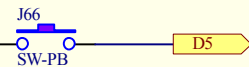
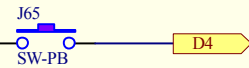
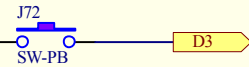
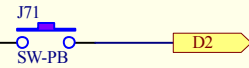
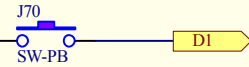
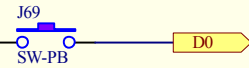


Title		
Size	Number	Revision
A4		
Date:	9-Feb-2005	Sheet of
File:	E:\Magor\MAGOR_HI01\PCB002\HI01.sch	Drawn By:



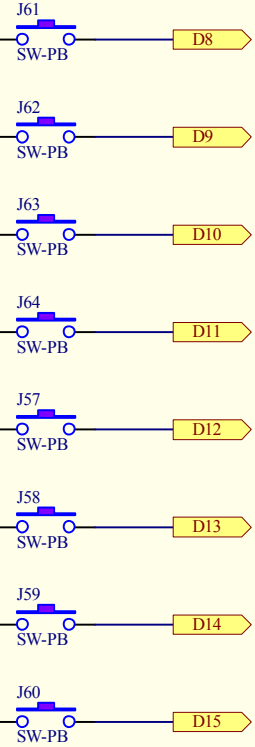
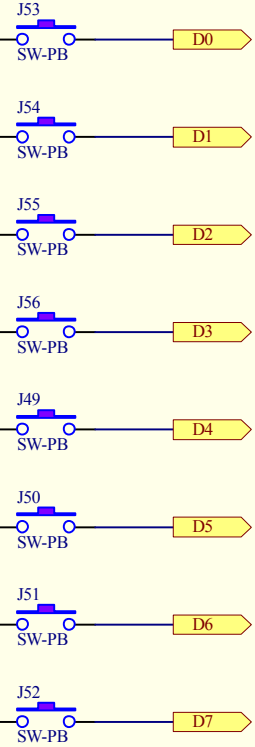
Title		
Size	Number	Revision
A4		
Date:	9-Feb-2005	Sheet of
File:	E:\Magor\MAGOR_HI01\PCB002\Mixed.sch	Drawn By:

ROW

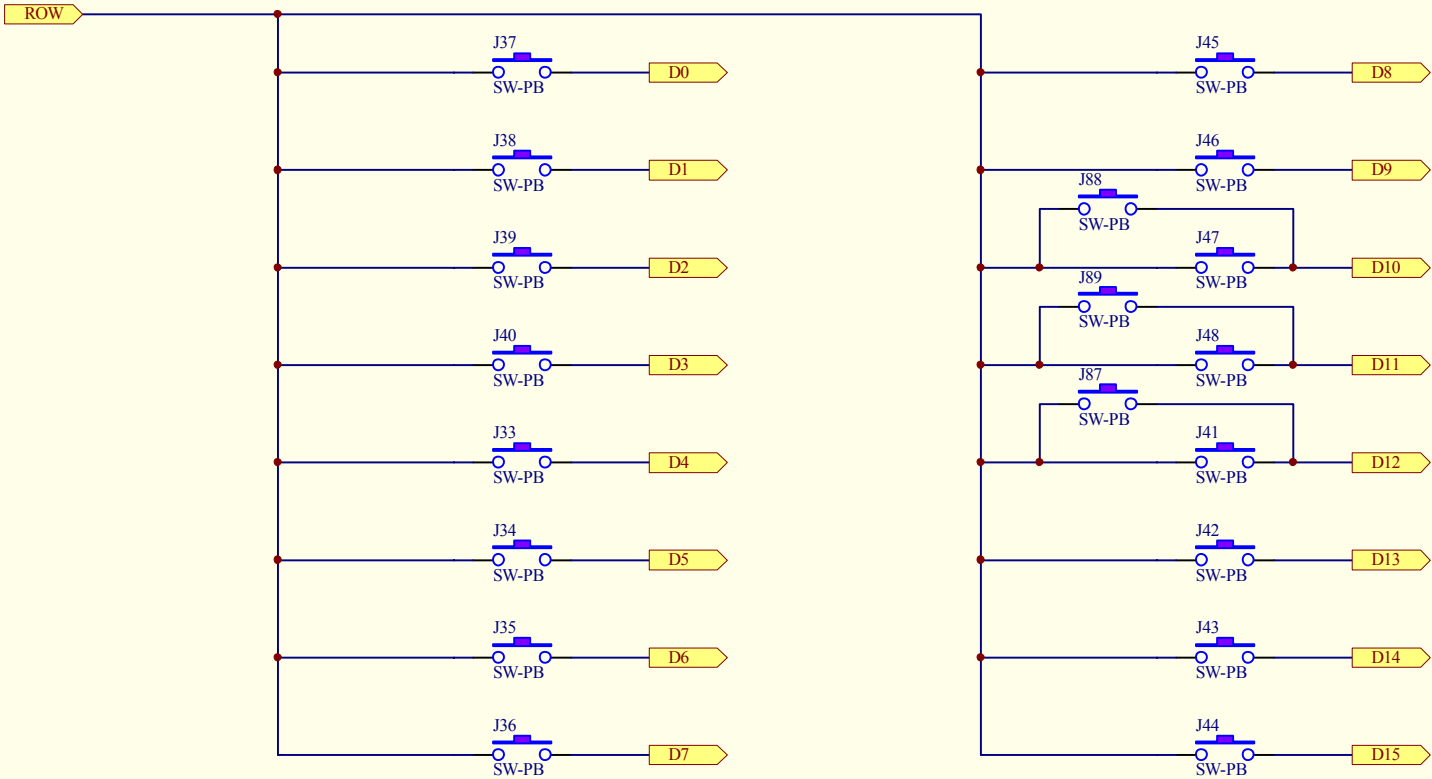


Title		
Size	Number	Revision
A4		
Date:	9-Feb-2005	Sheet of
File:	E:\Magor\MAGOR_HI01\PCB002\Col4.Sch	Drawn By:

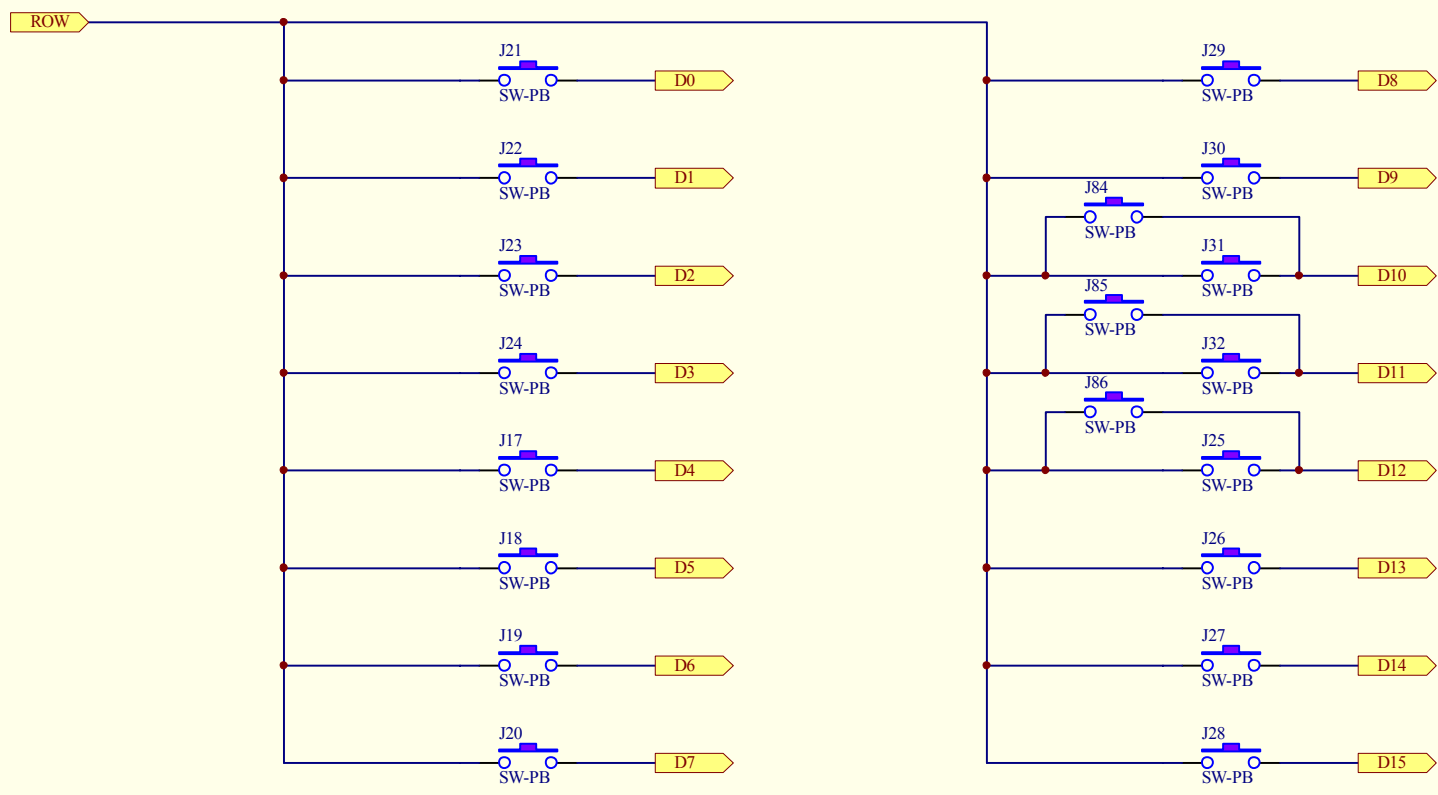
ROW



Title		
Size A4	Number	Revision
Date:	9-Feb-2005	Sheet of
File:	E:\Magor\MAGOR_HI01\PCB002\Col3.Sch	Drawn By:

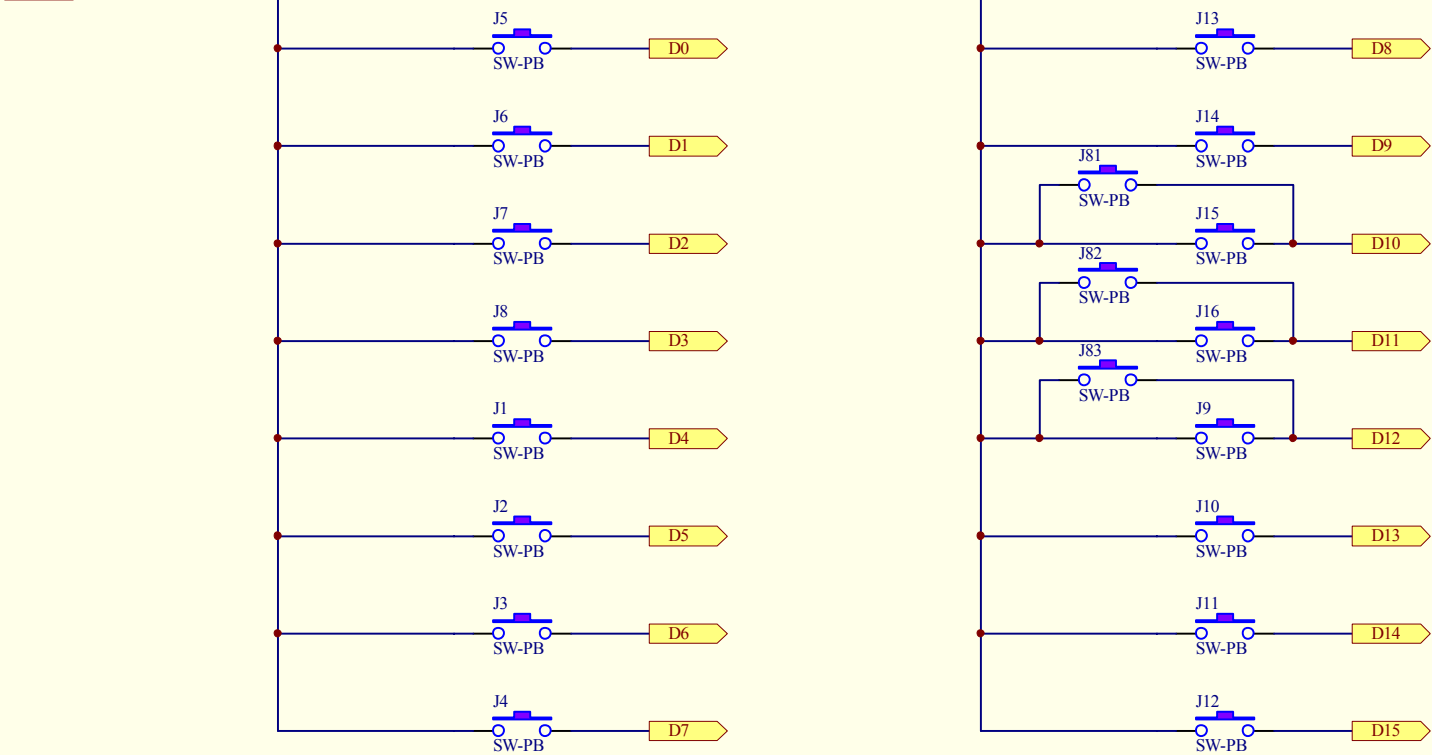


Title		
Size	Number	Revision
A4		
Date:	9-Feb-2005	Sheet of
File:	E:\Magor\MAGOR_HI01\PCB002.Col2.Sch	Drawn By:



Title		
Size	Number	Revision
A4		
Date:	9-Feb-2005	Sheet of
File:	E:\Magor\MAGOR_HI01\PCB002\Col1.Sch	Drawn By:

ROW



Title		
Size	Number	Revision
A4		
Date:	9-Feb-2005	Sheet of
File:	E:\Magor\MAGOR_HI01\PCB002\Col0.Sch	Drawn By: