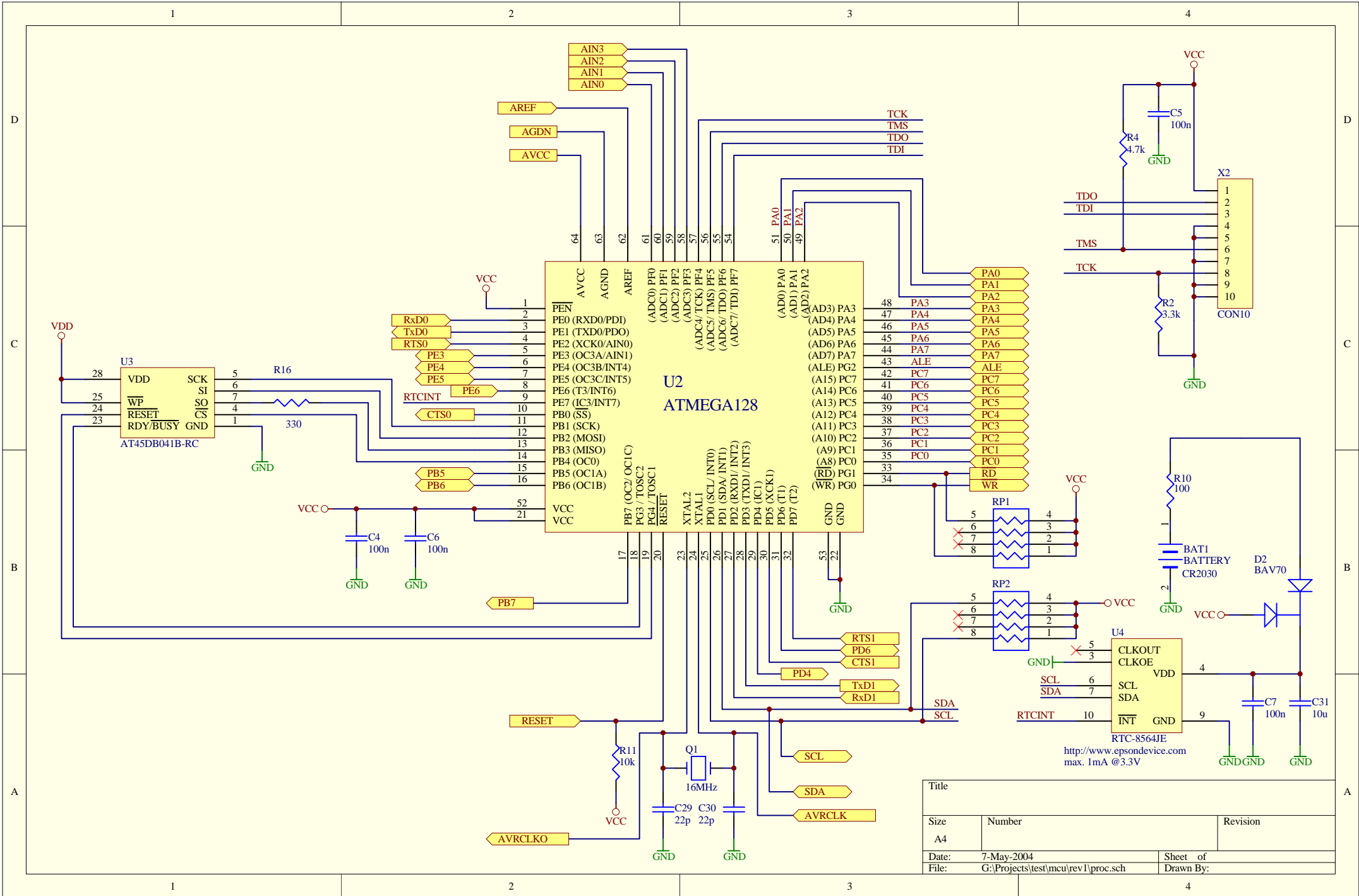
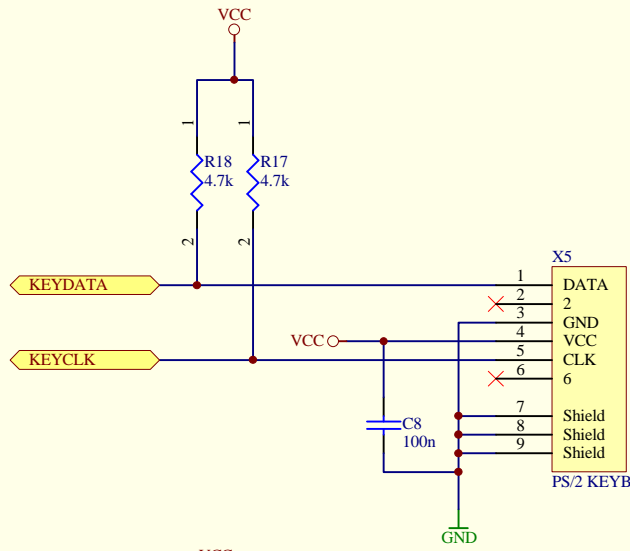


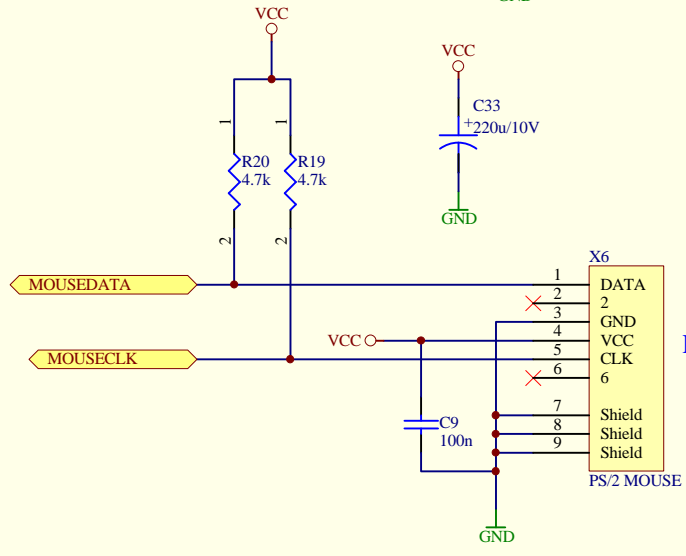
Title	Size	Number	Revision
	A3		
Date:	7-May-2004		Sheet of
File:	G:\Projects\test\mcu\rev1\datalog.sch		Drawn By:



Title		
Size	Number	Revision
A4		
Date:	7-May-2004	Sheet of
File:	G:\Projects\test\mcu\rev1\proc.sch	Drawn By:

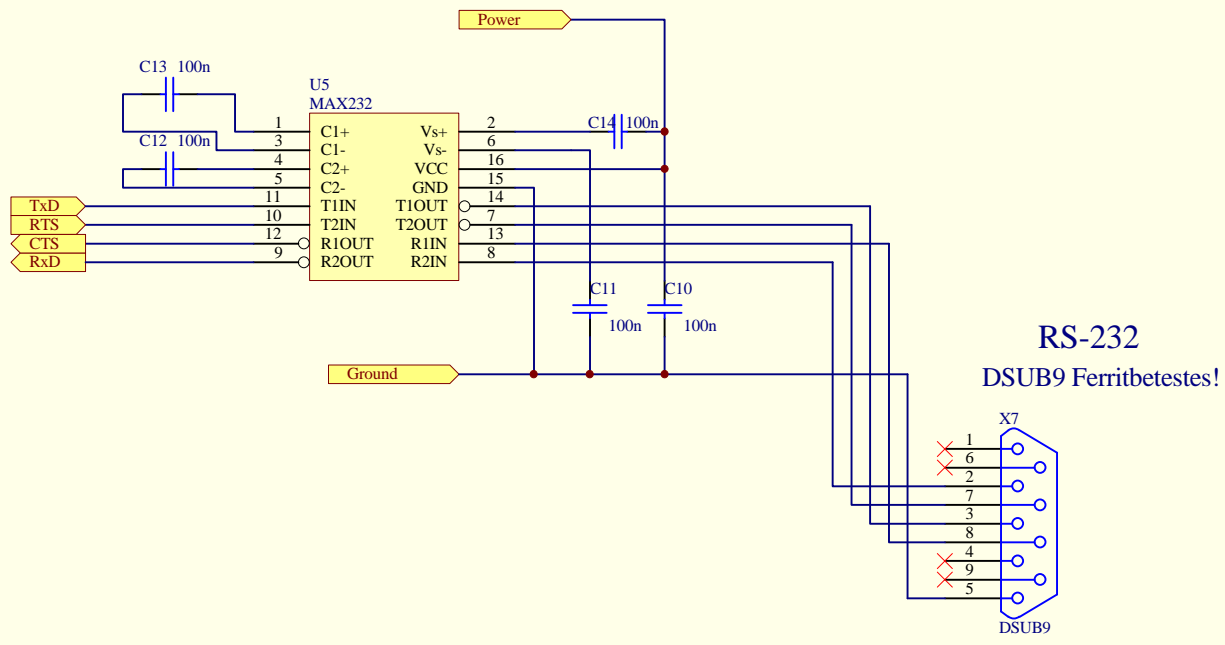


PC Keyboard PS/2

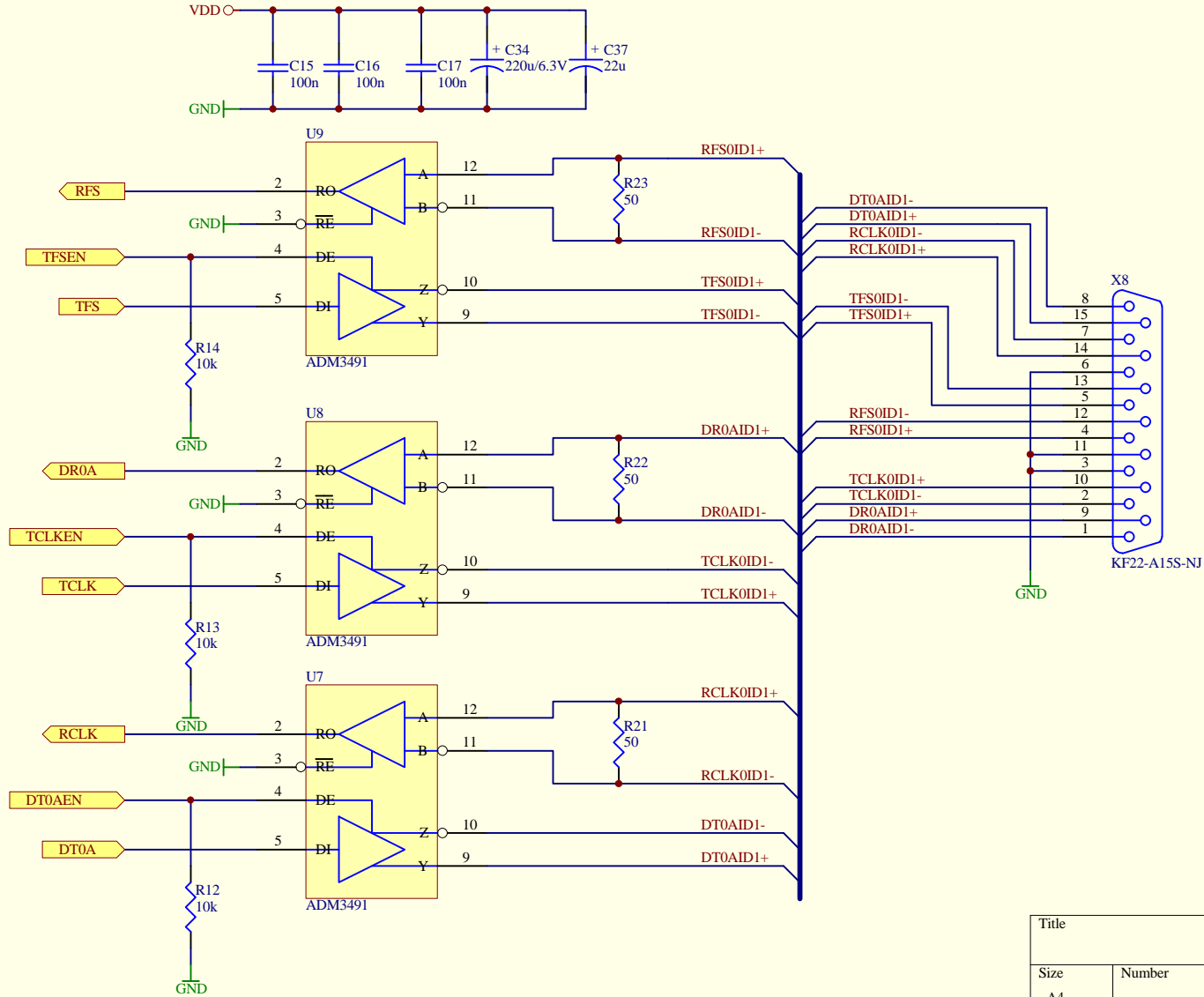


PC Mouse PS/2

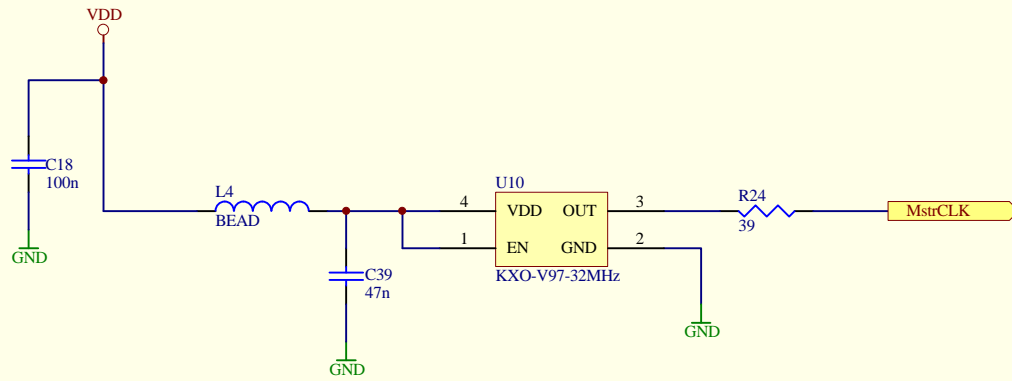
Title		
Size A4	Number	Revision
Date: 7-May-2004	Sheet of	
File: G:\Projects\test\mcu\rev1\ps2.sch	Drawn By:	



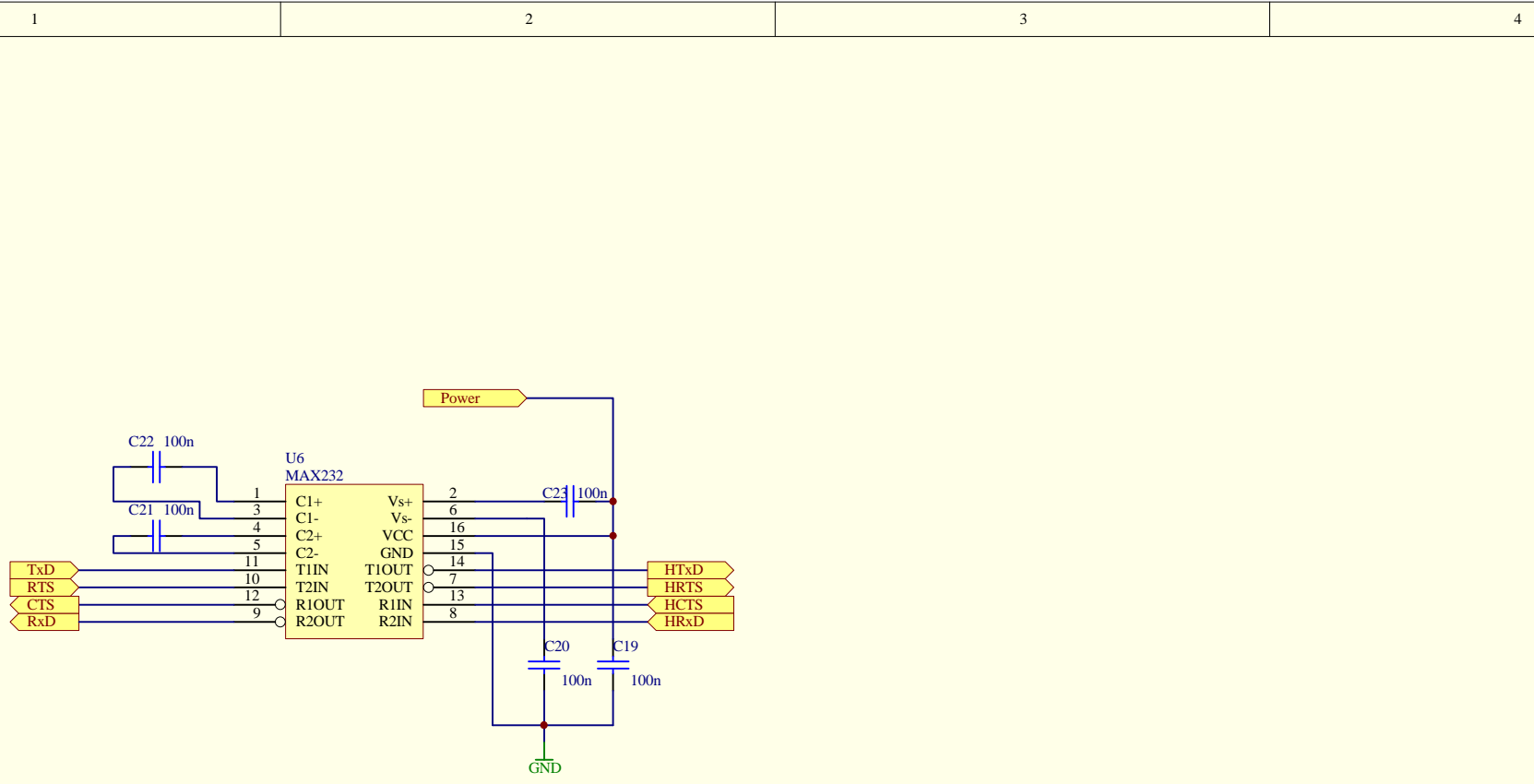
Title		
Size A4	Number	Revision
Date: 7-May-2004	Sheet of	
File: G:\Projects\test\mcu\rev1\rs000233.sch	Drawn By:	



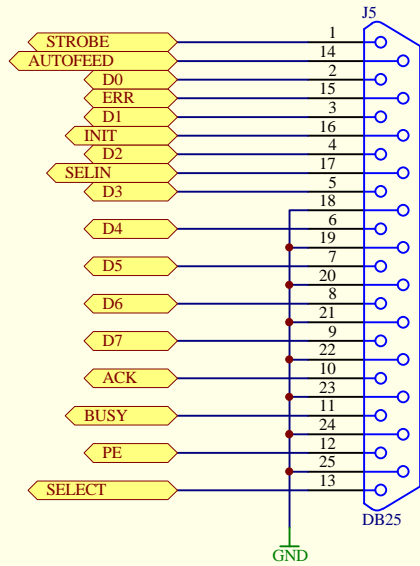
Title		
Size	Number	Revision
A4		
Date:	7-May-2004	Sheet of
File:	G:\Projects\...\dsp_rs485_serialport.sch	Drawn By:



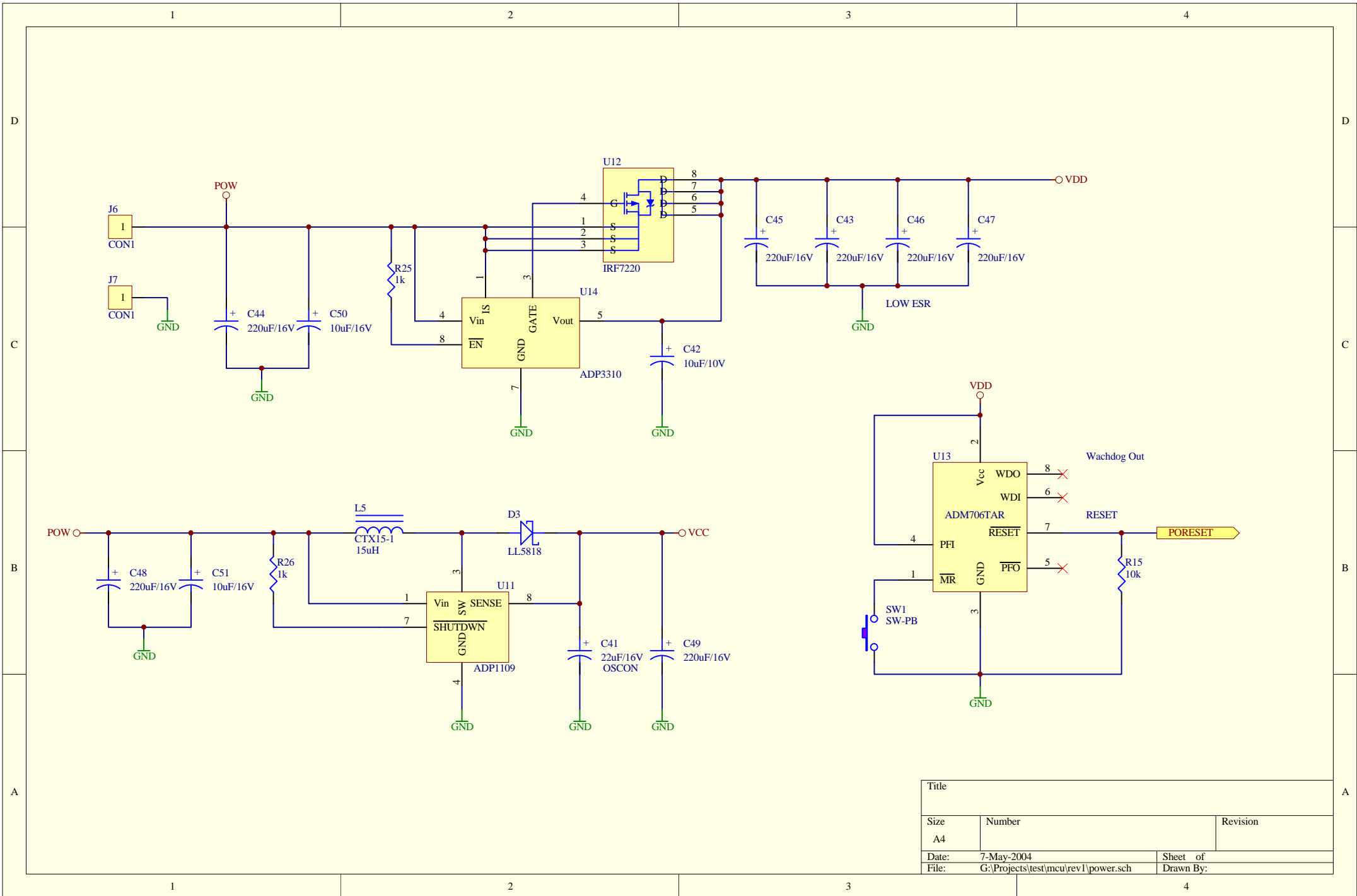
Title		
Size A4	Number	Revision
Date: 7-May-2004	Sheet of	
File: G:\Projects\test\mcu\rev1\osc.sch	Drawn By:	



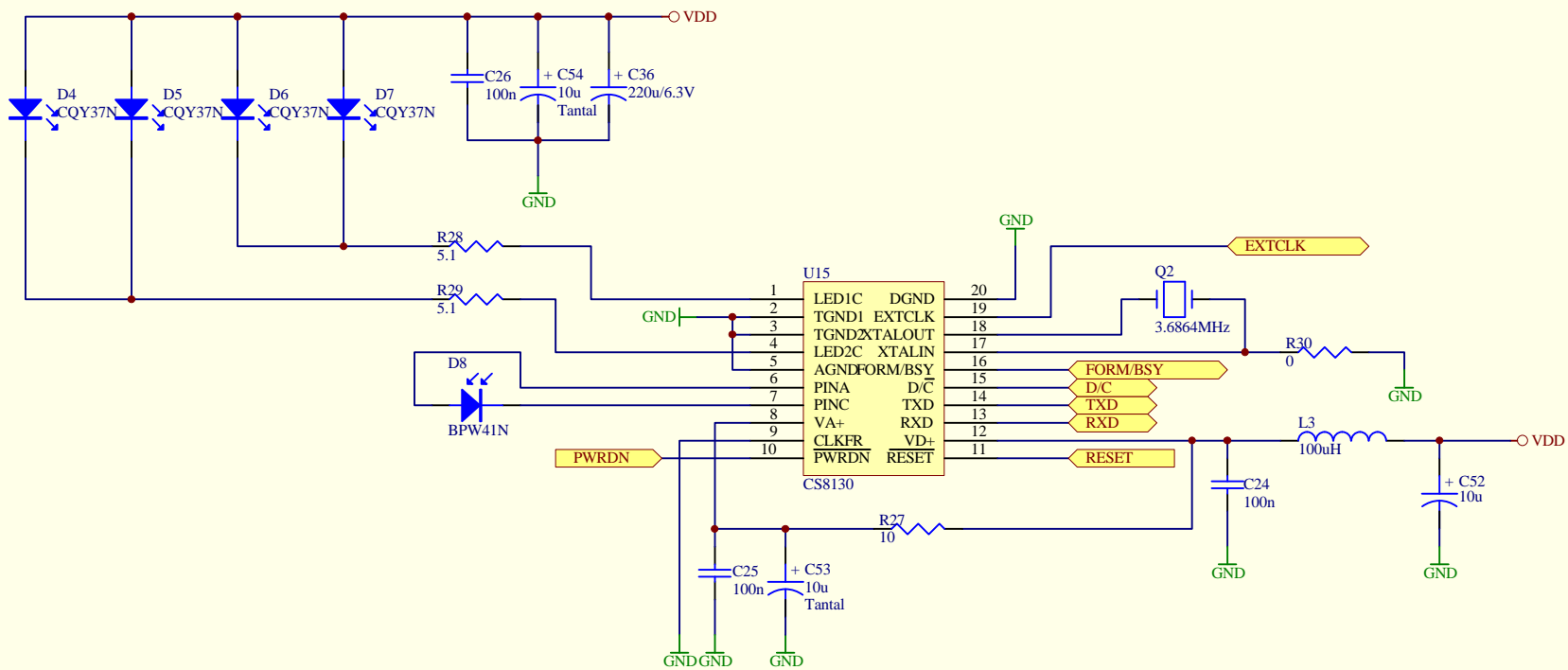
Title		
Size	Number	Revision
A4		
Date:	7-May-2004	Sheet of
File:	G:\Projects\test\mcu\rev1\rs000234.sch	Drawn By:



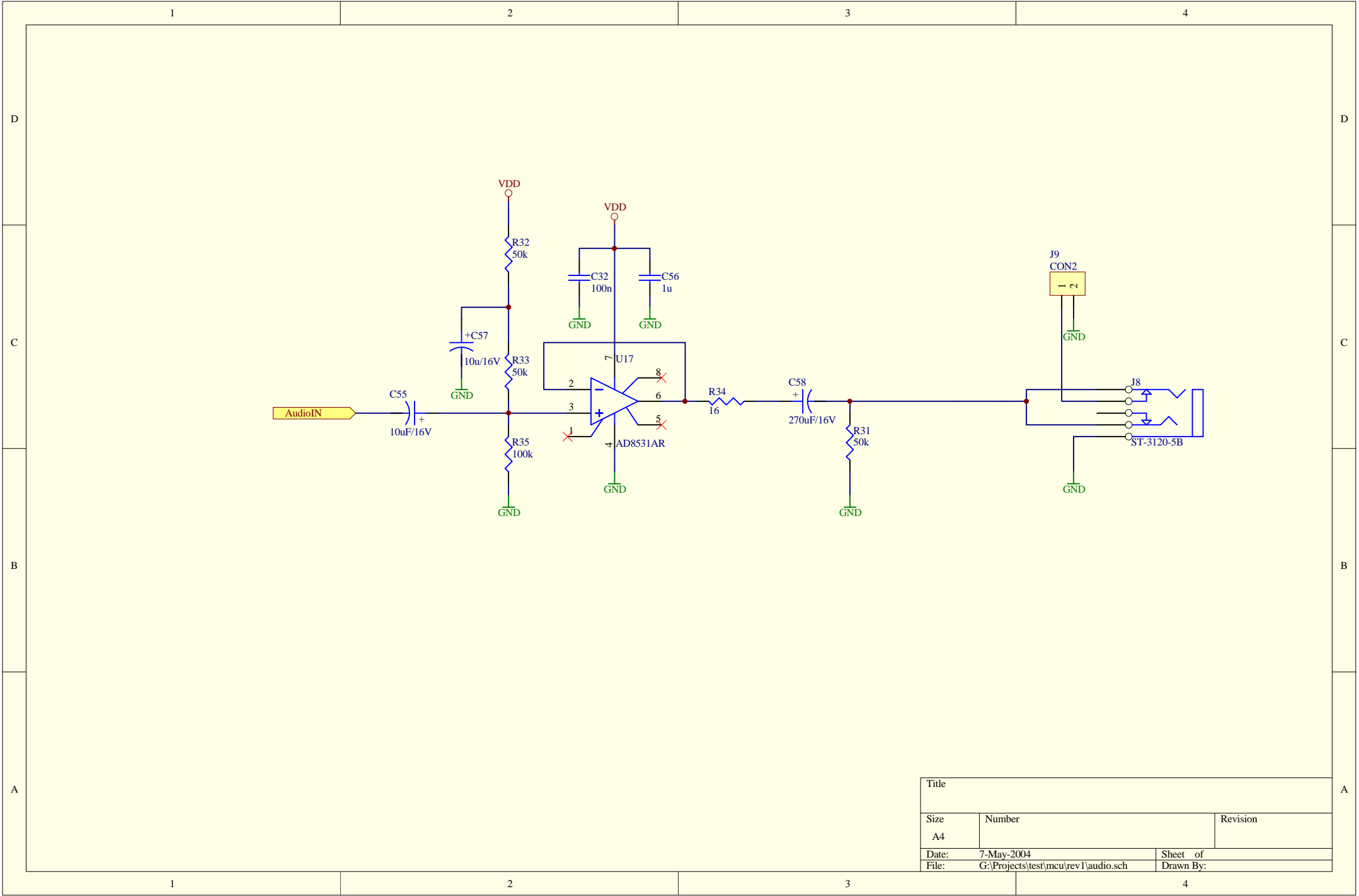
Title		
Size A4	Number	Revision
Date: 7-May-2004	Sheet of	
File: G:\Projects\test\mcu\rev1\LPT.sch	Drawn By:	



Title		
Size	Number	Revision
A4		
Date:	7-May-2004	Sheet of
File:	G:\Projects\test\mcu\rev1\power.sch	Drawn By:



Title		
Size	Number	Revision
A4		
Date:	7-May-2004	Sheet of
File:	G:\Projects\test\mcu\rev1\irda.sch	Drawn By:



Title		
Size	Number	Revision
A4		
Date:	7-May-2004	Sheet of
File:	G:\Projects\test\mcu\rev1\audio.sch	Drawn By: